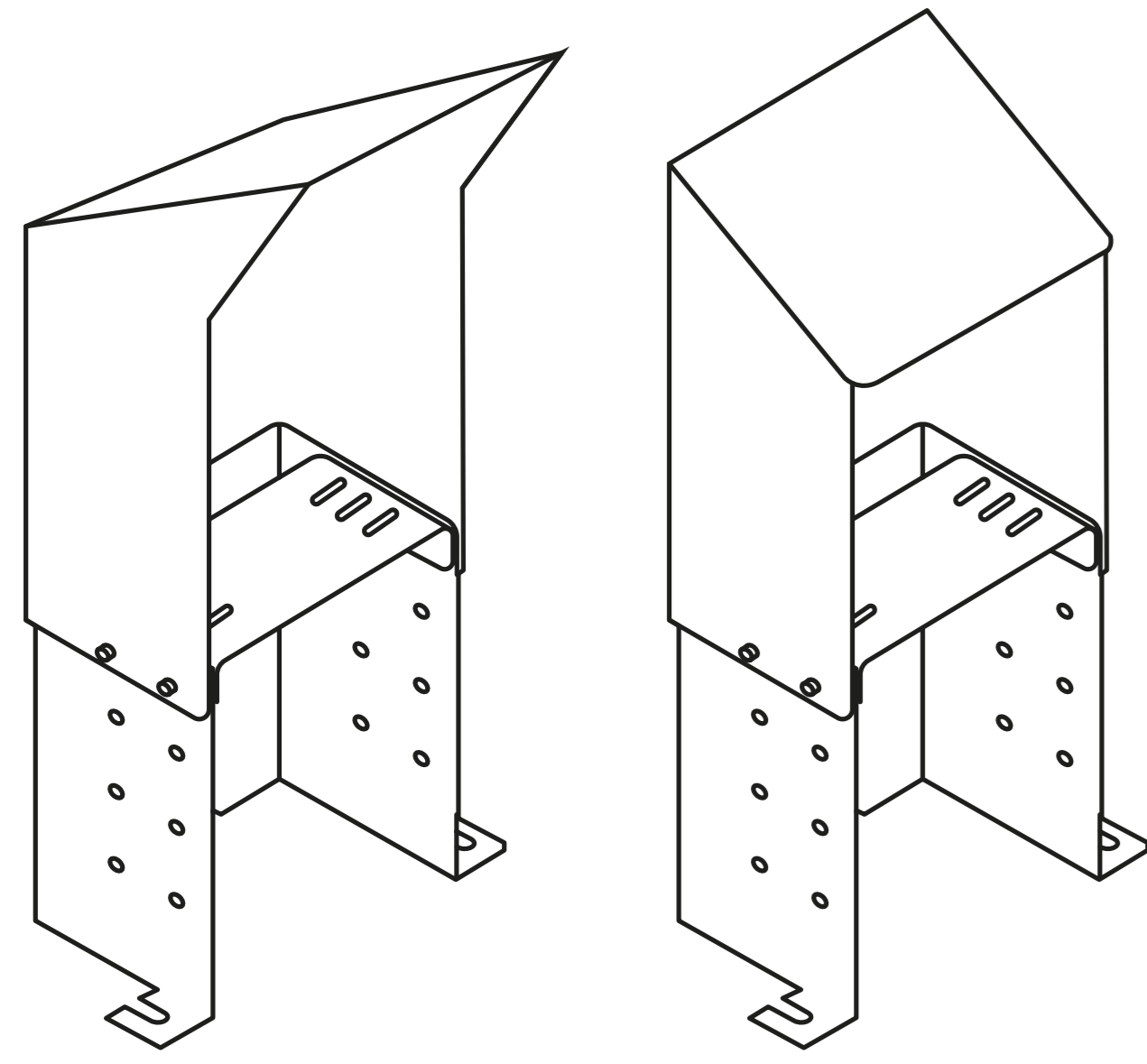




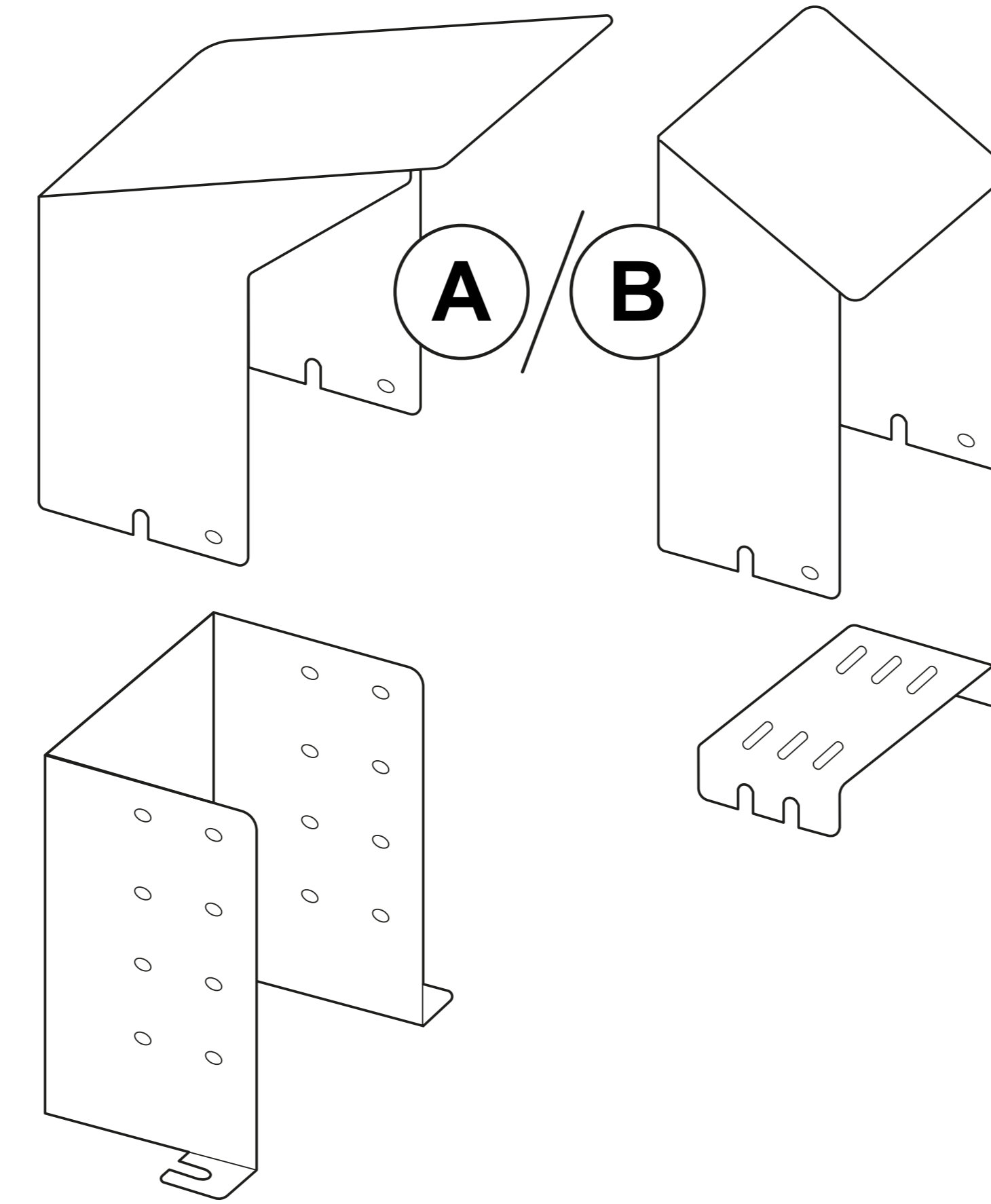
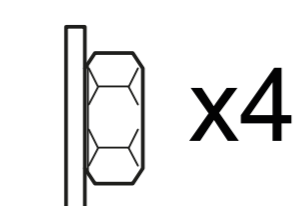
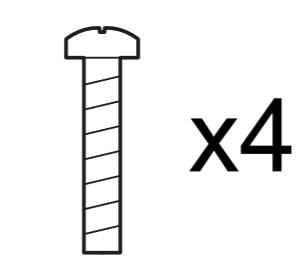
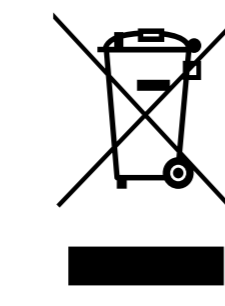
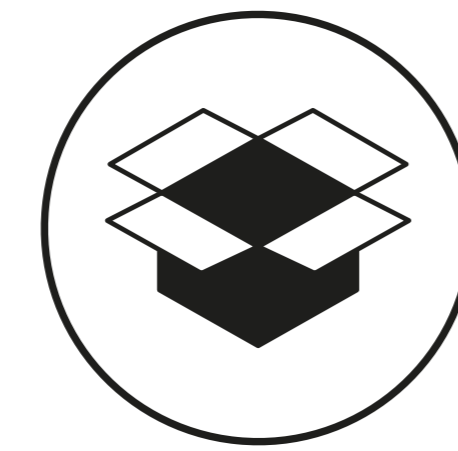
# Adjustable protector kit

for SRE 100 and SRE 200 Series

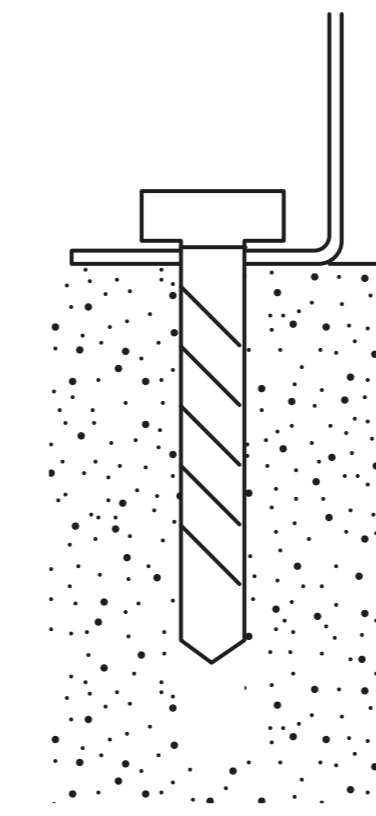
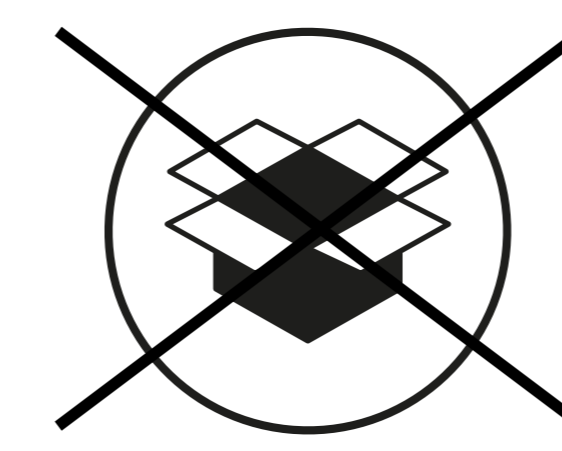


Indoor: 90302ZAD

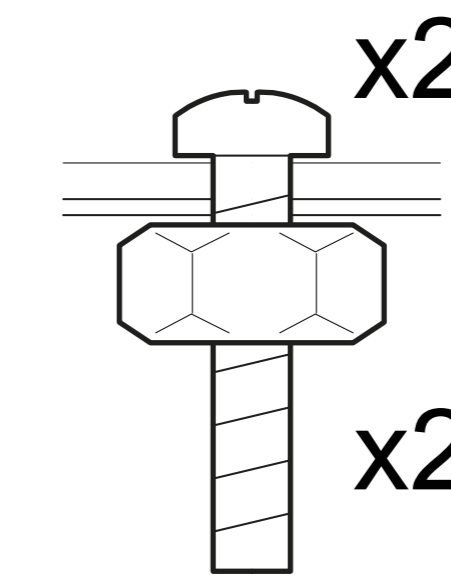
Indoor: 90302ZAC



RAL 1003 powder coated metal

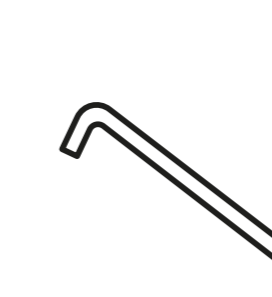
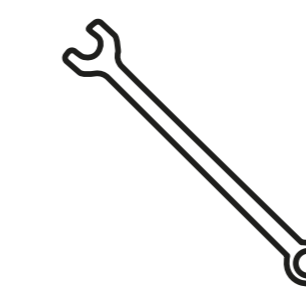
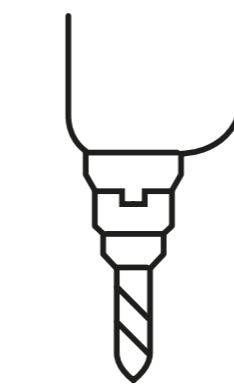


x2



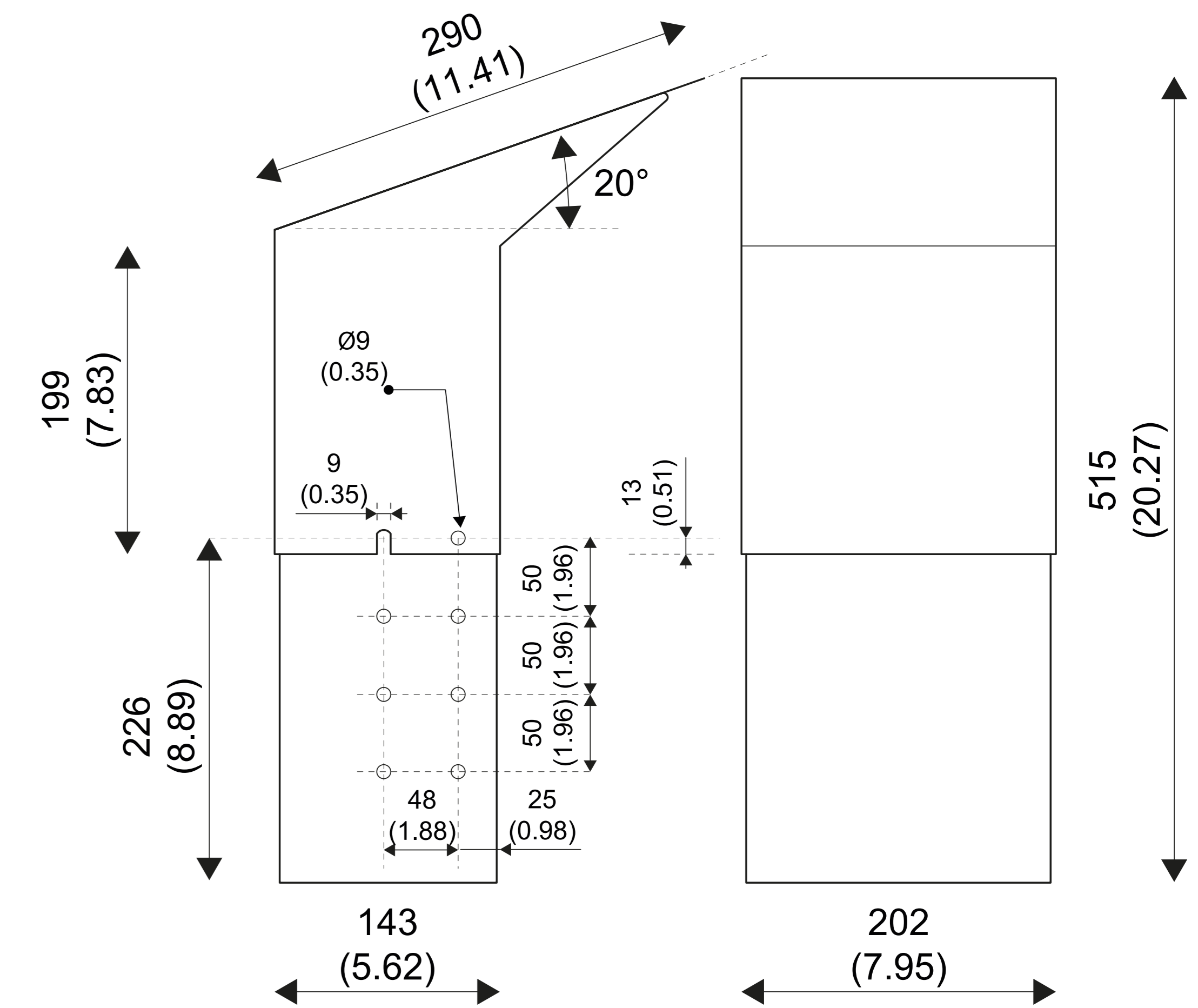
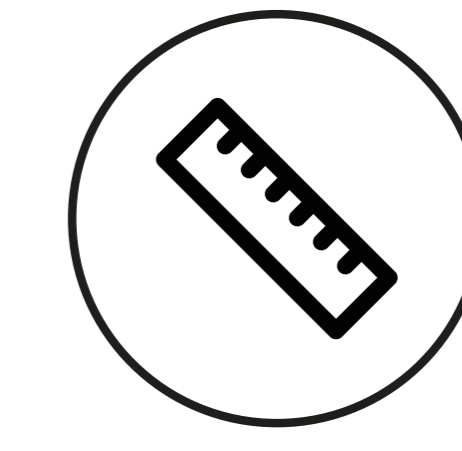
x2

x2



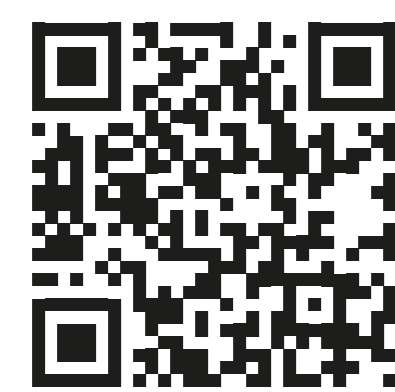
13 mm  
(0.11in)

5 mm  
(0.19in)

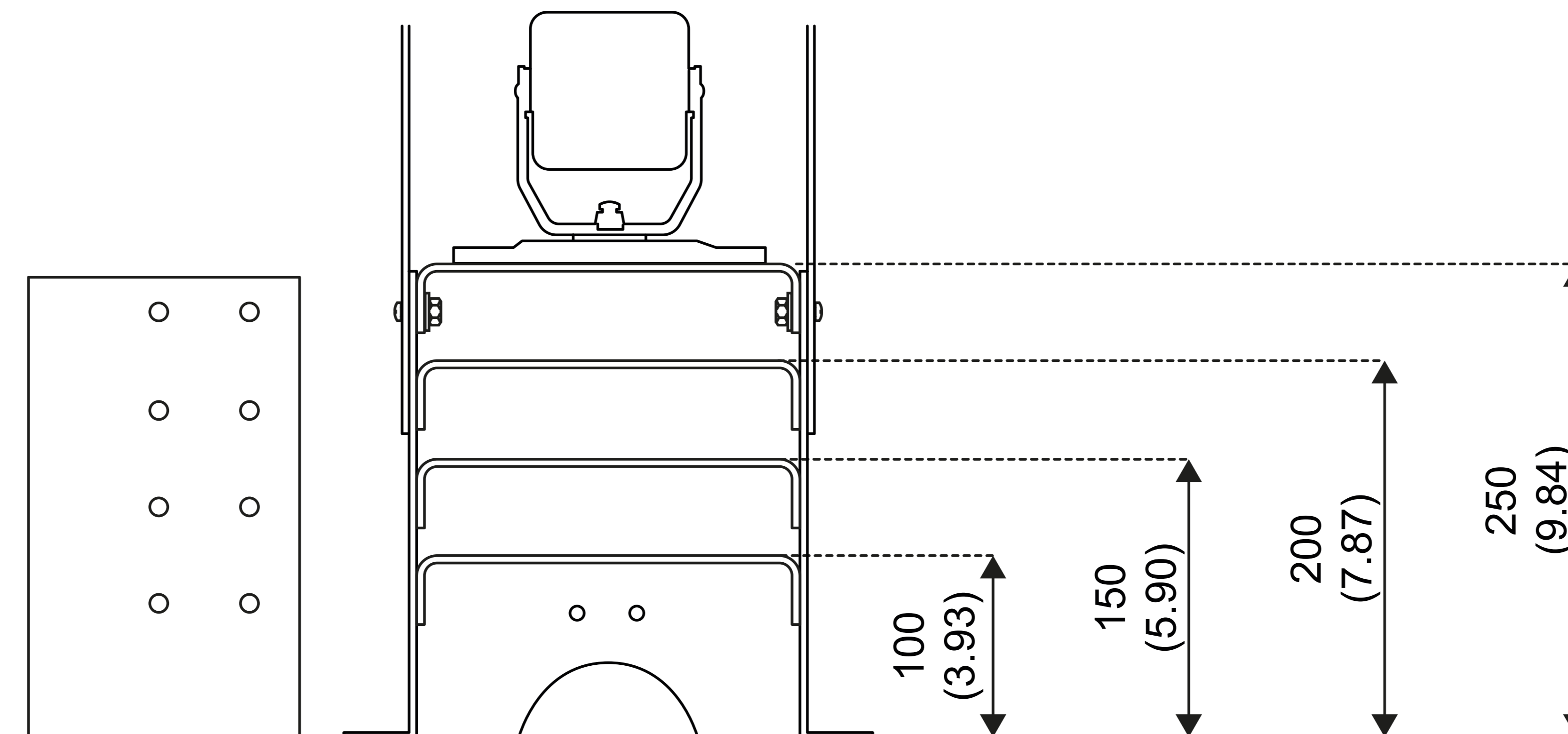
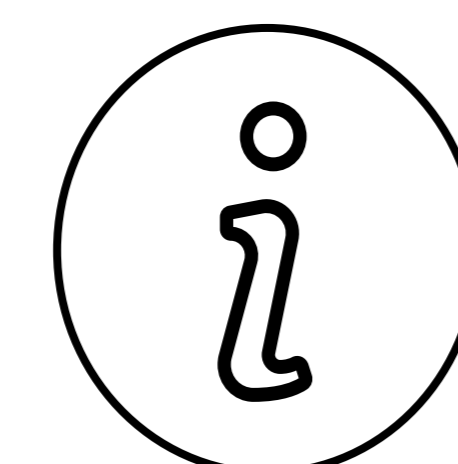


Made in Italy.  
Designed, engineered and  
manufactured in Italy by

Inxpect SpA  
Via Serpente, 91  
25131 Brescia (BS) Italy



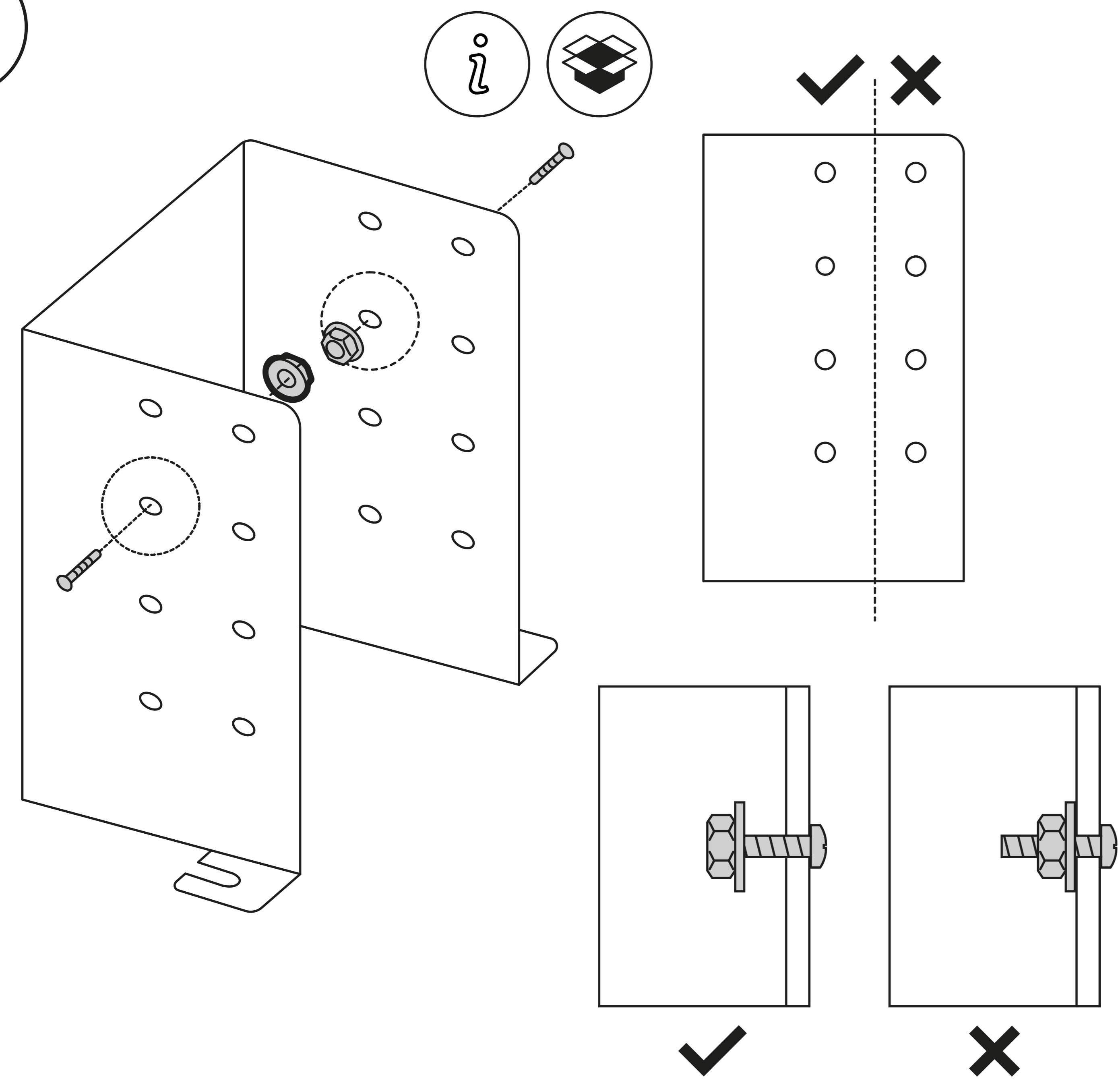
www.inxpect.com



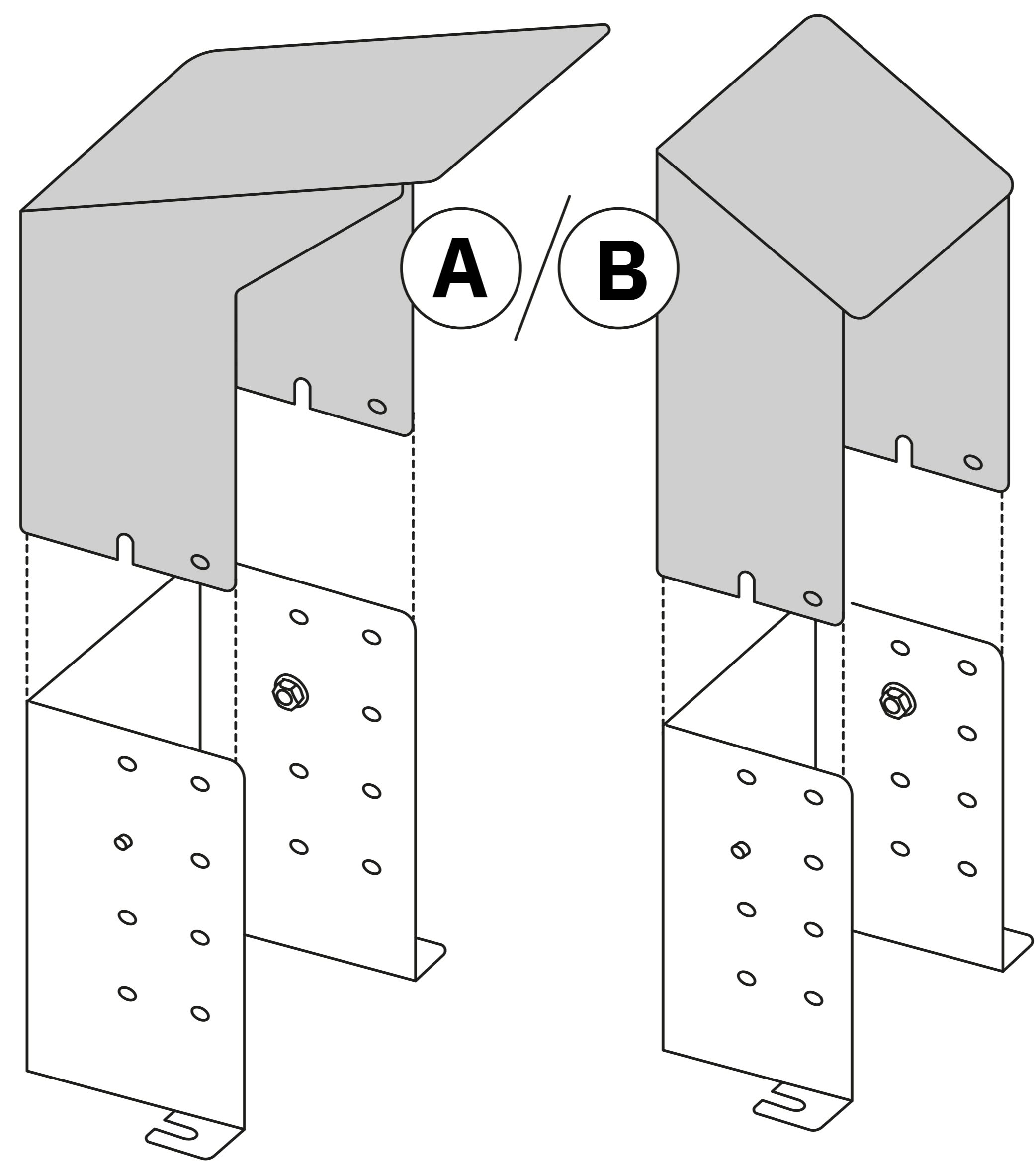
mm  
(in)

mm  
(in)

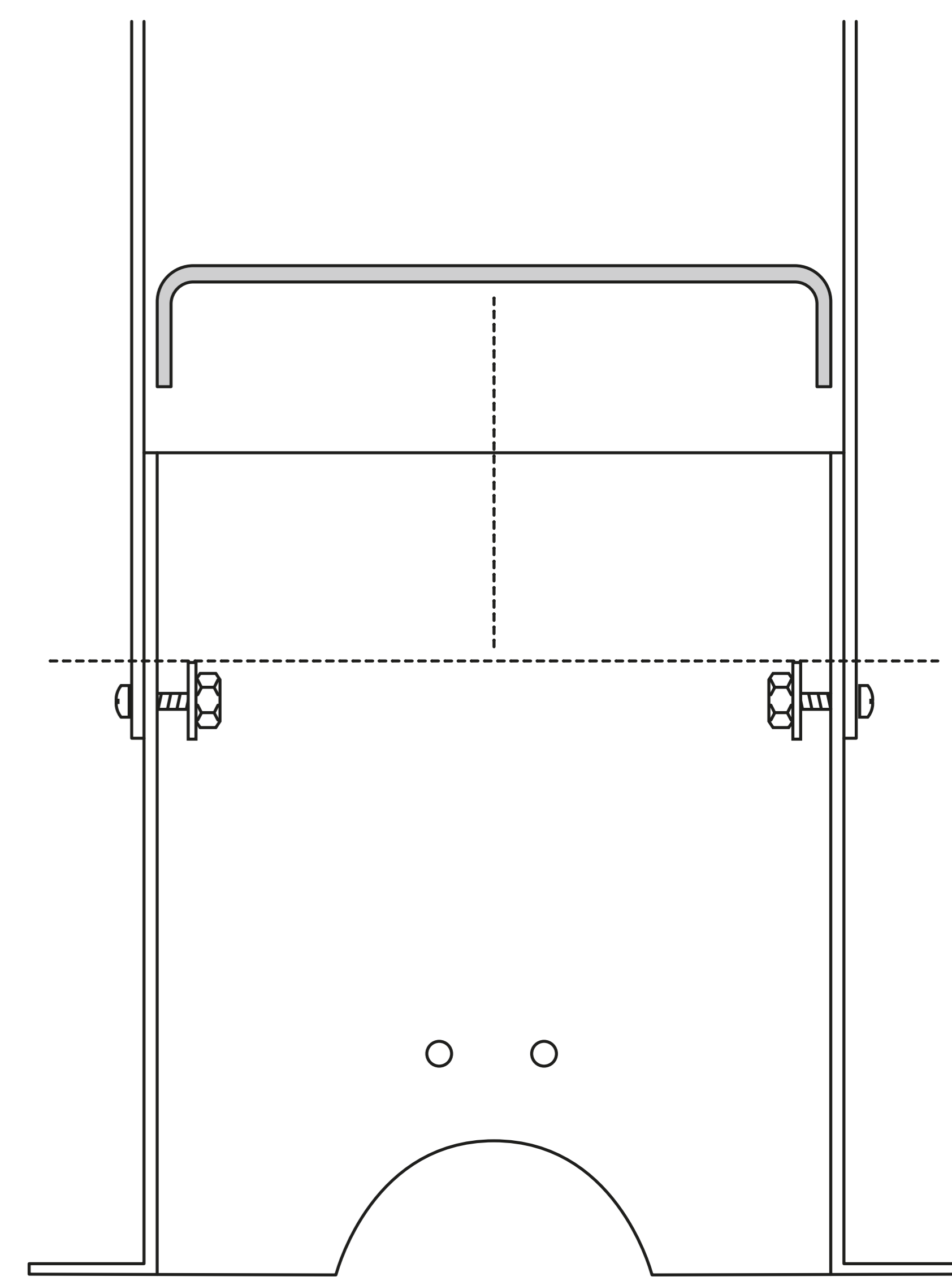
1



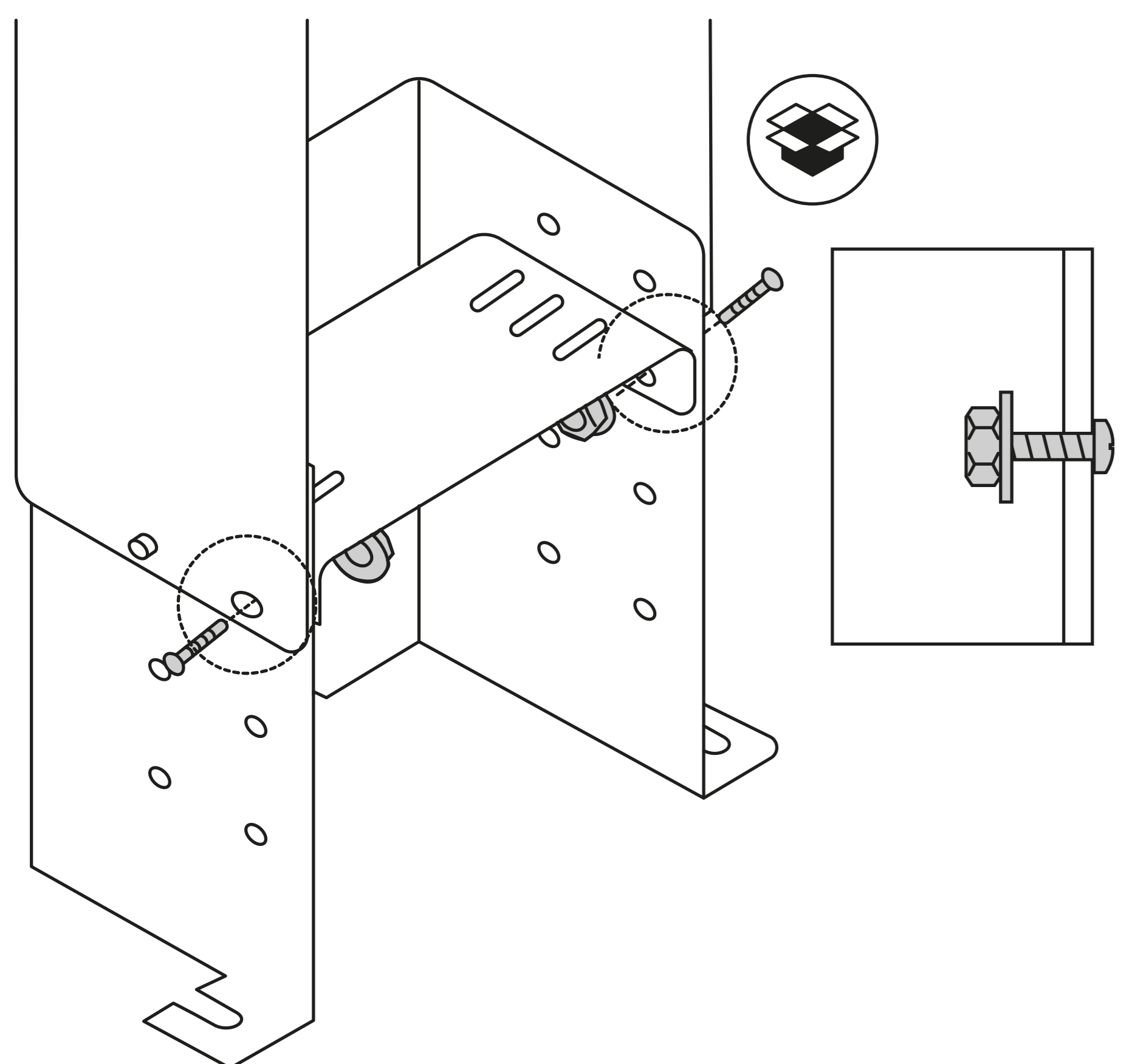
2



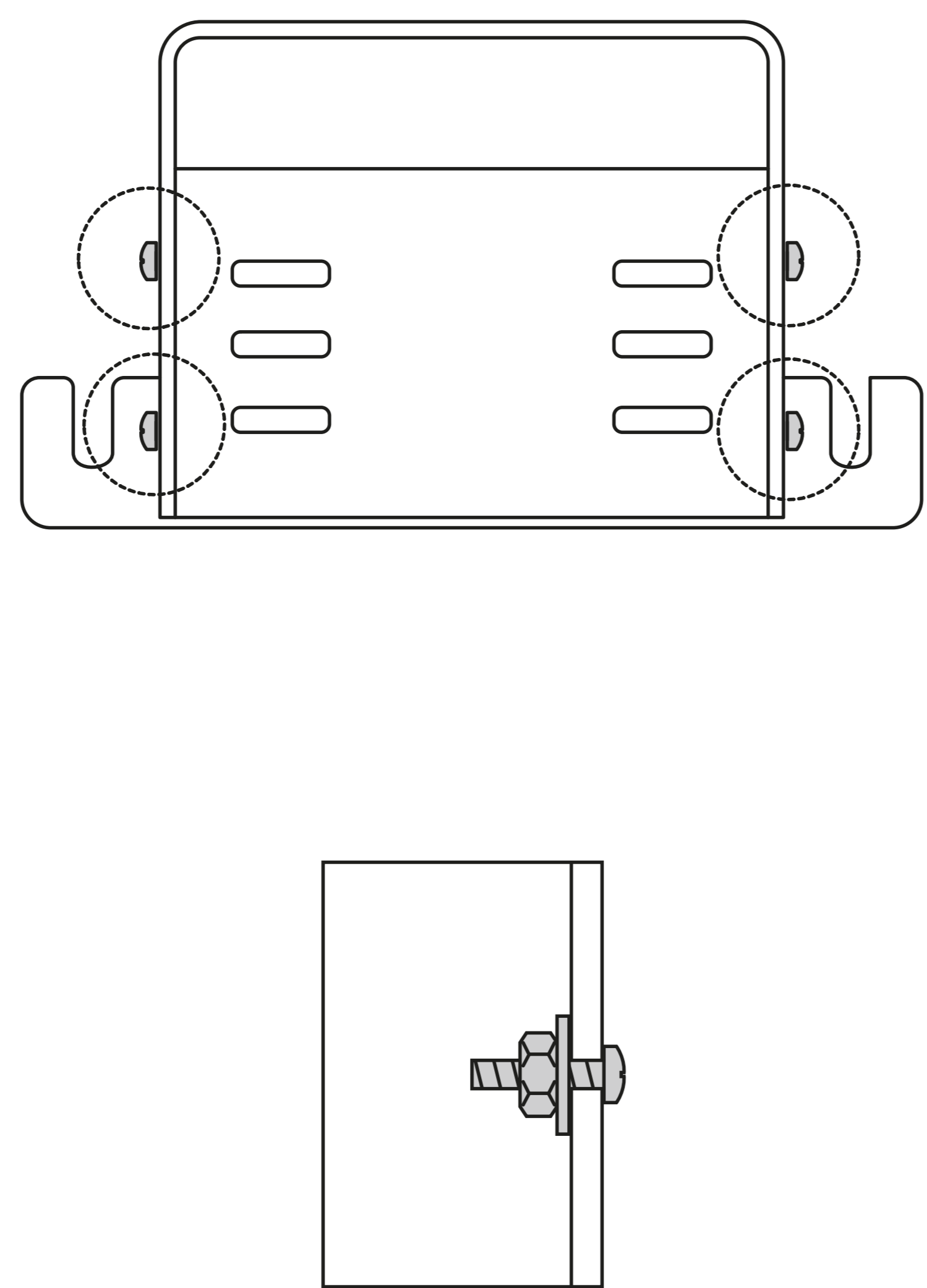
3



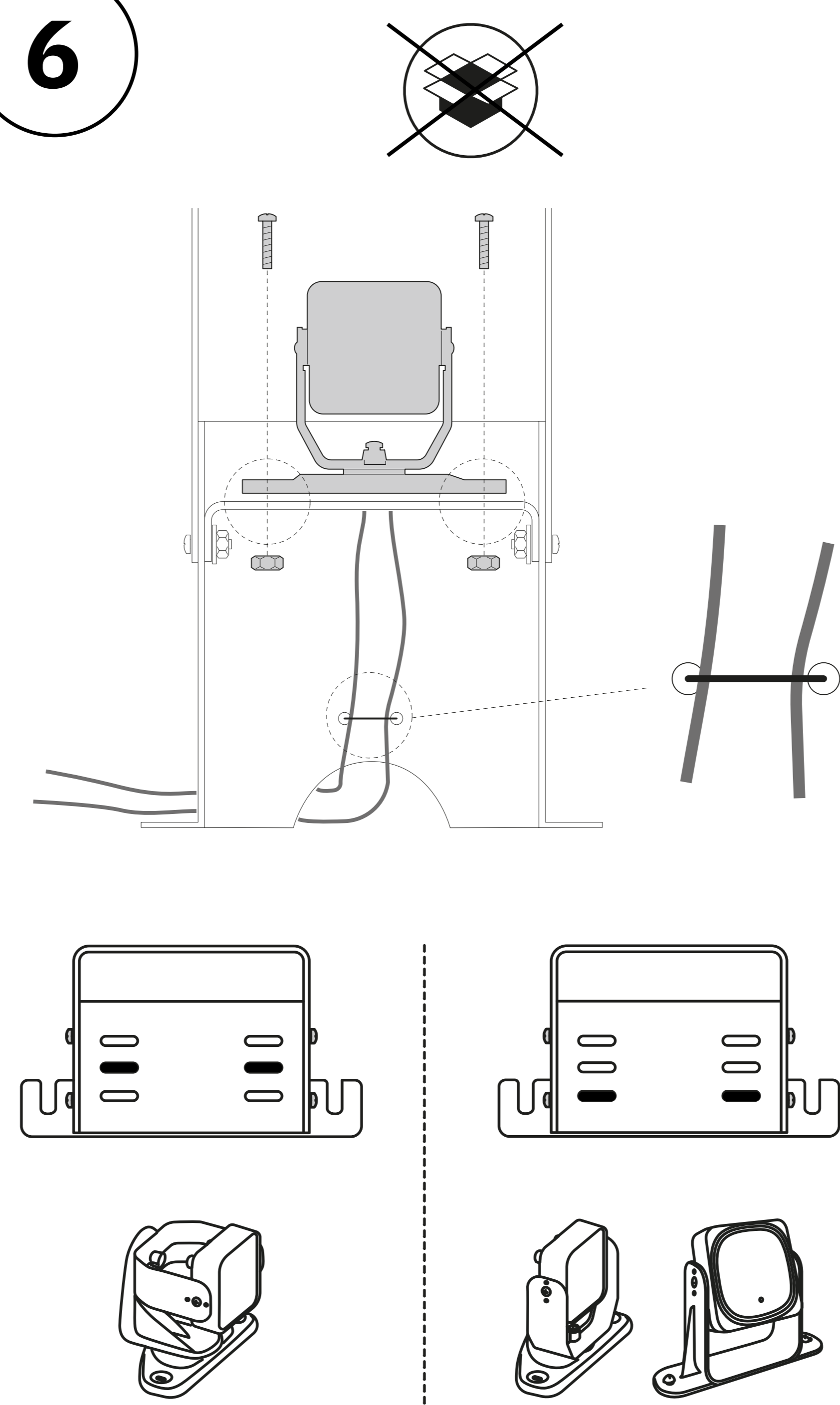
4



5



6



7

